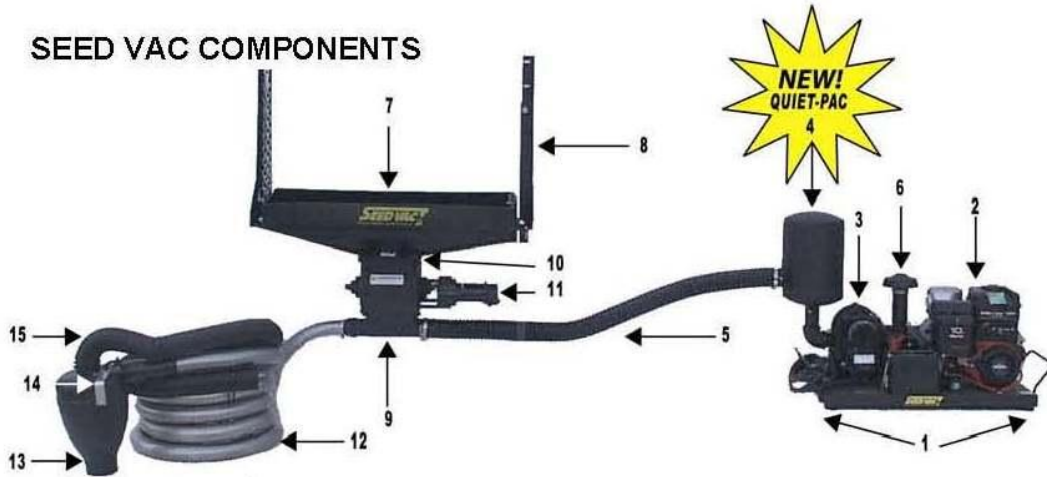


## SEED VAC COMPONENTS



**1. POWER UNIT:** Houses gas engine, blower, and 12-Volt Group U1 battery (Battery not Included).

**2. GAS ENGINE:** 10 HP, electric-start Briggs & Stratton Intek industrial duty engine. Belt drives blower. (Honda Upgrade optional.)

**3. BLOWER:** Roots-type industrial blower produces pressure air to convey seed.

**4. QUIET-PAC** Silencer reduces blower noise emissions.

**5. AIR HOSE:** Delivers pressure air from the blower to the airlock inlet. (Standard length 10')

**6. RAIN CAP:** Covers blower air intake.

**7. 40" HOPPER:** Directs seed from gravity wagon or truck box into the airlock.

**7 A. Q-BIT™ ADAPTOR (Optional - Not Shown):** Directs seed from a Novartis' Q-Bit bulk seed container into the airlock. (Replaces items 7 & 8)

**8. MOUNTING BRACKETS:** Mounts airlock and hopper to wagon or truck box.

**9. AIRLOCK:** Meters seed into the product hose.

**10. AIRLOCK SLIDE GATE:** Controls flow of seed into the airlock.

**11. ELECTRIC GEAR MOTOR (12-Volt DC):** Powers the airlock rotation.

**12. PRODUCT HOSE:** Delivers seed from airlock to delivery cyclone.

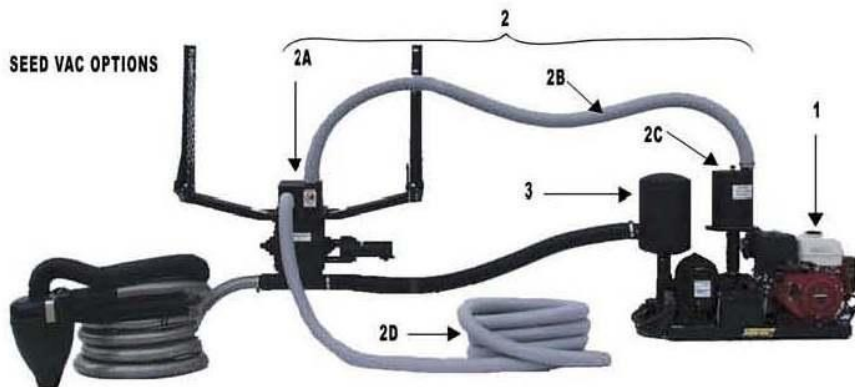
**13. DELIVERY CYCLONE:** Slows down and directs discharge of seed into the planter.

**14. POWER SWITCH:** Waterproof power switch provides on/off control of airlock rotation. Starts and stops flow of seed.

**15. VENT HOSE:** Redirects air and dust away from operator.

## SEED VAC OPTIONS

### SEED VAC OPTIONS



**1. HONDA GAS ENGINE:** 11 HP, electric-start.

**2. VACUUM ATTACHMENT:** Allows the Seed Vac to be used to vacuum out planter boxes and drills.

*The vacuum attachment includes:*

**2A VACUUM BOX** - airtight seed receiver attaches to the airlock.

**2B VACUUM AIR HOSE** - 12-1/2' hose to blower.

**2C FILTER CANISTER** - protects your blower by filtering dust and debris. (Replaces rain cap)

**2D VACUUM HOSE** - 25' of hose to reach your planter for easy clean out.

**3. QUIET-PAC SILENCER** - Now standard on new Seed Vacs, this silencer may be purchased separately for older model Seed Vacs.



2/01/2013

**Bulk Seed Systems, Inc. is your dealer for Christianson Systems, Inc.**  
 Phone: 507-342-2222 Fax: 507-342-2223 Email: sales@bulkseedsystems.com